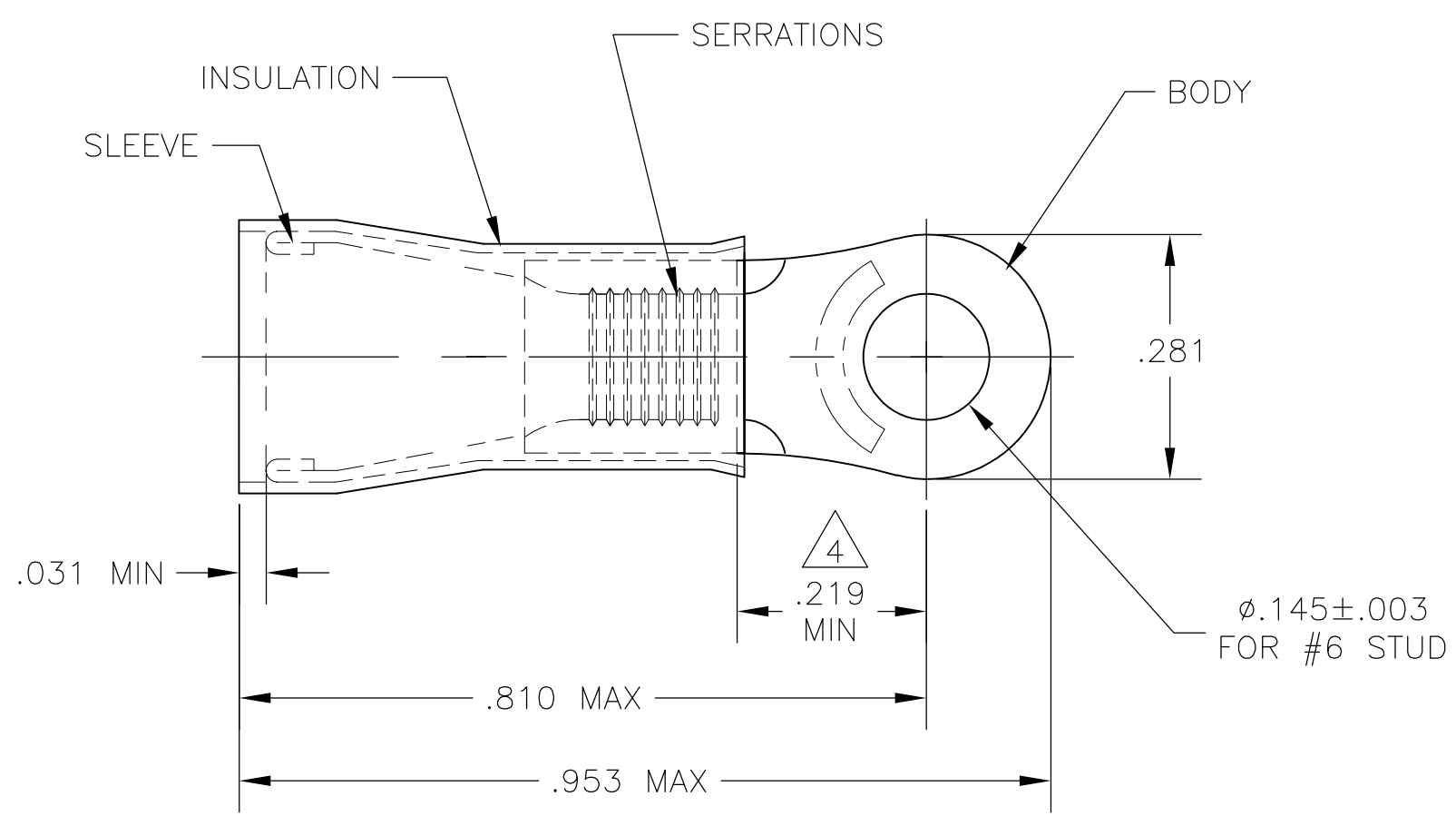


THIS DRAWING IS UNPUBLISHED. RELEASED FOR PUBLICATION
 © COPYRIGHT - By - ALL RIGHTS RESERVED.

LOC	DIST	REVISIONS			
P	LTR	DESCRIPTION	DATE	DWN	APVD
G	02	E3	REVISED PER ECO-13-005147	27MAR13	KH DR



- 1 WIRE INSUL DIA .150-.230
- 2 MATERIAL: BODY - CU PER ASTM B152
SLEEVE - CU PER ASTM B152
INSULATION - NYLON ASTM D4066, TYPE 1
- 3 FINISH: BODY & SLEEVE: TIN PER ASTM B-545
INSULATION - COLOR: YELLOW
- 4 APPLIES FROM THE EDGE OF METAL BARREL TO THE CENTER OF THE STUD HOLE.
- 5 TONGUE MATERIAL THICKNESS: $.040 \pm .002$

AMP WIRE RANGE	UL Listed FILE E13288	SP LR7189 Certified
12-10 AWG SOLID OR STRANDED	12-10 AWG SOLID OR STRANDED	12-10 AWG SOLID OR STRANDED

50	LOOSE PIECE, BOX	8-320634-2
2000	ON TAPE	2-320634-1
500	LOOSE PIECE	320634
QTY	PACKAGE TYPE	PART NO

MAX RECOMMENDED OPERATING TEMPERATURE: 105°C [221°F] VOLTAGE RATING: 300 V MAX CIRCULAR MIL AREA: 2.62-6.64mm ² [5,180-13,100] SOLID OR STRANDED	THIS DRAWING IS A CONTROLLED DOCUMENT. DIMENSIONS: INCHES 		TOLERANCES UNLESS OTHERWISE SPECIFIED: 0 PLC ± - 1 PLC ± - 2 PLC ± - 3 PLC ± .008 4 PLC ± - ANGLES ± 5° MATERIAL 2 FINISH 3		DWN jr_ruth 12JUN09 CHK TOM MICHIELUTTI 12JUN09 APVD TOM MICHIELUTTI 12JUN09 PRODUCT SPEC UL 486A APPLICATION SPEC - WEIGHT -	STE TE Connectivity NAME: TERMINAL, PIDG, RING TONGUE, WIRE SIZE: 12-10			RESTRICTED TO
	CUSTOMER DRAWING			SIZE A3 CAGE CODE 00779 DRAWING NO C-320634	SCALE 5:1	SHEET 1 OF 1	REV E3		